

## Terminal box and cable gland

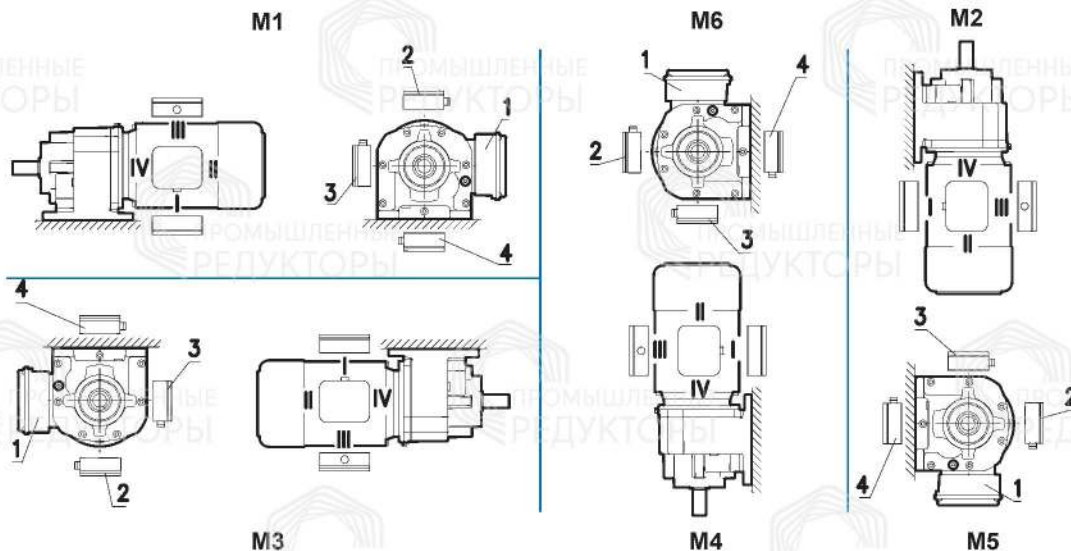
### Terminal box at 1 and cable gland at I.

### Standardversion

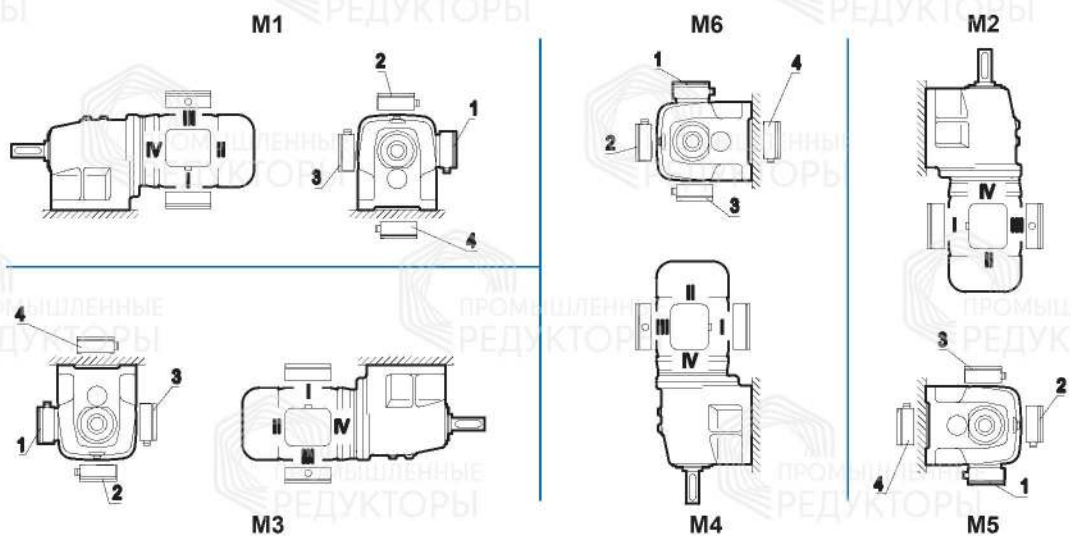
If a different configuration is required, please state this explicitly in the order. Please always enquire about the cable gland for IV.

For size 63 to 132 brake motors, the cable gland at I and III are standard.

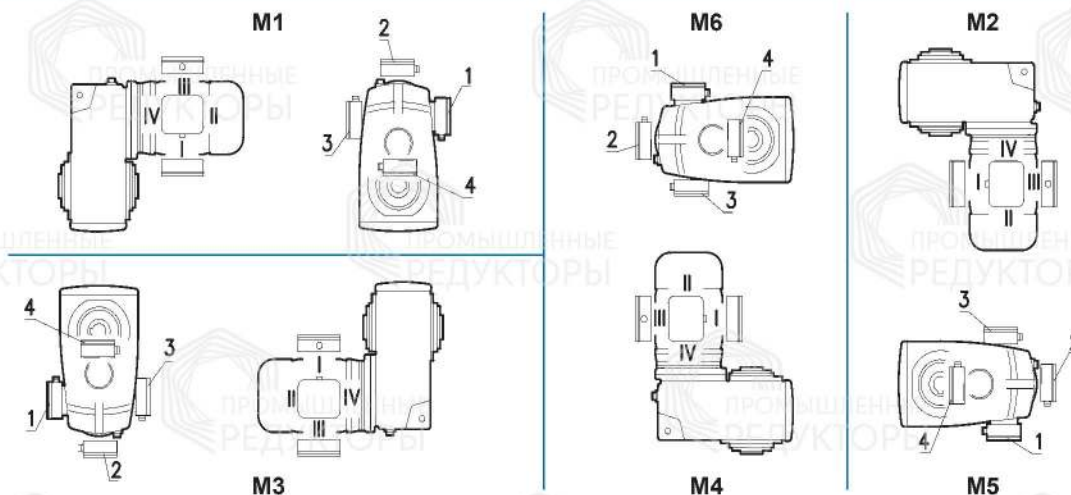
### NORDBLOC.1 helical gear units



### Helical gear units



### Parallel shaft gear units



For further details of versions M1-M6 please refer to **A69**

## Installation positions - nomenclature

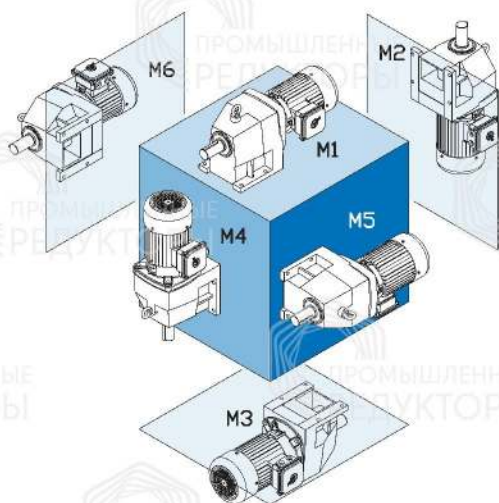
For gear units and geared motors, NORD specifies six installation positions from M1 to M6 as shown in the following diagrams. The relevant installation position must be stated when ordering.

Changes to the installation position require adjustment of the quantity of oil, and often other measures such as the installation of encapsulated roller bearings. Damage may result if the necessary measures are not observed. Tilted installation positions between the 6 basic positions are possible. Please contact us.

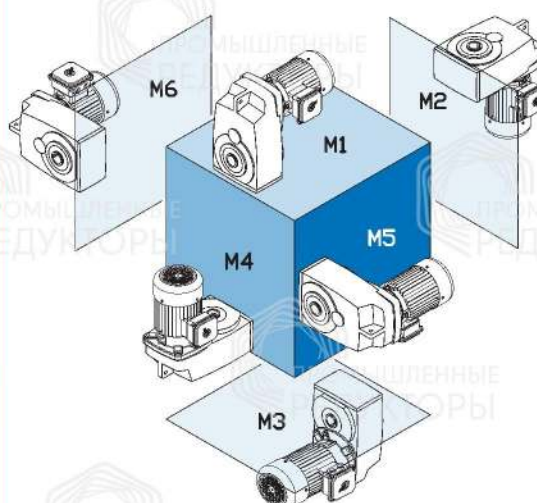
Installation positions  
M1 - M6

Changes to  
installation positions

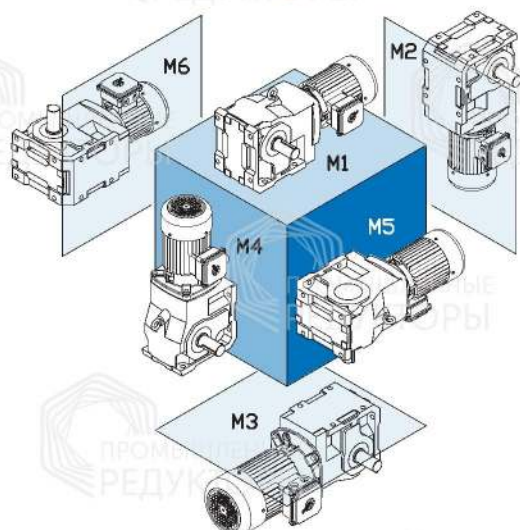
Helical gear units



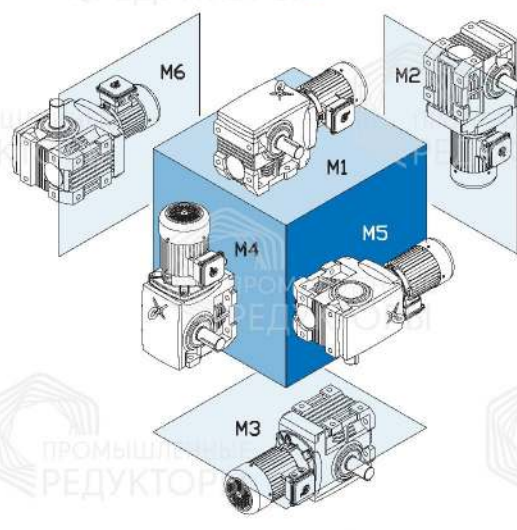
Parallel shaft gear units



Bevel gear unit



Helical worm gear units



The versions, with the position of the oil level plug, the vent plug and the oil drain plug can be found on → [A70](#)